

# WiMOD - iM880B

Application Note AN017 / Version 1.1

Firmware Update for iM880B



**Document ID:** 4100/40140/0103

**Category:**

---

**IMST GmbH**

Carl-Friedrich-Gauss-Str. 2-4

D-47475 Kamp-Lintfort



## Document Information

<b>File name</b>	iM880B_AN017_FirmwareUpdate.docx
<b>Created</b>	2016-02-29
<b>Total pages</b>	15

## Revision History

<b>Version</b>	<b>Description</b>
1.0	Preliminary version.
1.1	Updated chapter about iX880 Update Tool

## Aim of this Document

Aim of this document is to give a short description on how to update the firmware of the module iM880B.

## Confidentiality Note

This document has to be treated confidentially. Its content must not be published, duplicated or passed to third parties without our express permission.

## Table of Contents

1	OVERVIEW	4
2	HARDWARE INFORMATION	4
2.1	Schematic of the iM880B	4
2.2	WiMOD Demo Board	5
2.3	Programming Interface	7
3	DEVELOPING SOFTWARE FOR THE IM880B	8
3.1	Useful Tools	8
3.1.1	IAR Embedded Workbench	8
3.1.2	ST-Link/v2	8
3.1.3	J-Link Debug Probe	8
4	FIRMWARE UPDATE BY BOOTLOADER	9
4.1	Studio Support	9
4.2	iX880 Update Tool	9
5	APPENDIX	13
5.1	List of Abbreviations	13
5.2	List of Figures	13
5.3	List of Tables	13
6	REGULATORY COMPLIANCE INFORMATION	14
7	IMPORTANT NOTICE	15
7.1	Disclaimer	15
7.2	Contact Information	15

# 1 Overview

Purpose of this application note is to describe how to update the firmware of the module.

## 2 Hardware Information

### 2.1 Schematic of the iM880B

The following figure shows the logical routing of the iM880B. It shows the pinout (left side) and all necessary information regarding software development.

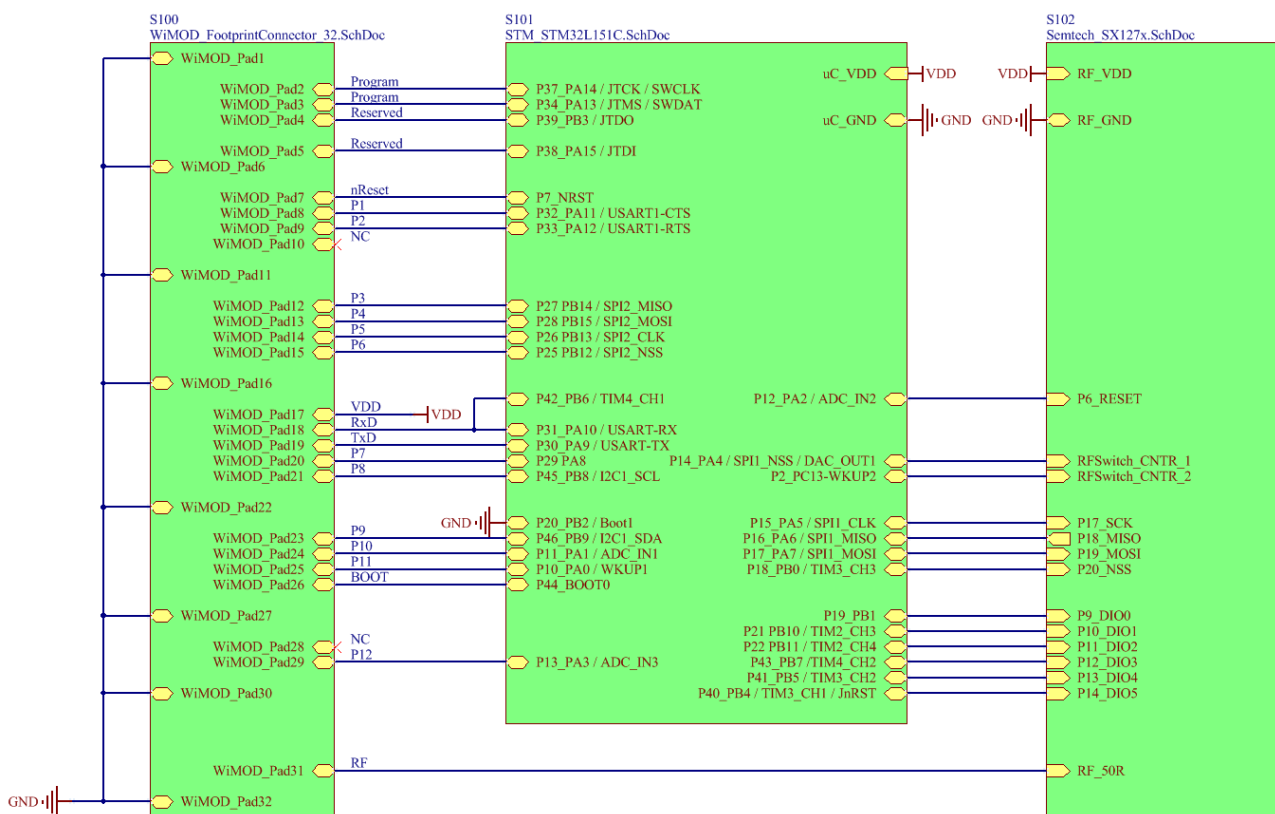


Figure 2-1: Logical routing of the iM880B

Main components of the iM880B are the STMicroelectronics microcontroller STM32L151Cx device generation "A" and the Semtech SX1272 transceiver. The microcontroller can be reprogrammed by using the integrated programming and debug interface described in chapter 2.3. The radio module is equipped with two external crystals. A 16MHz crystal is connected to  $\mu$ C pins 5 and 6 (OSC\_IN / OSC\_OUT) and a 32.768 kHz crystal is connected to  $\mu$ C pins 3 and 4 (OSC32\_IN / OSC32\_OUT).

## 2.2 WiMOD Demo Board

The WiMOD iM880B provides several functional units like buttons, LEDs, a potentiometer, a buzzer and a temperature sensor. The module can easily be accessed via the on board UART to USB converter.

To develop software for the iM880B it is helpful to use the ST-Link/v2 debugger. The connection is described in chapter 2.3 of this document. Figure 2-2 gives an overview of the WiMOD Demo Board and its peripherals.

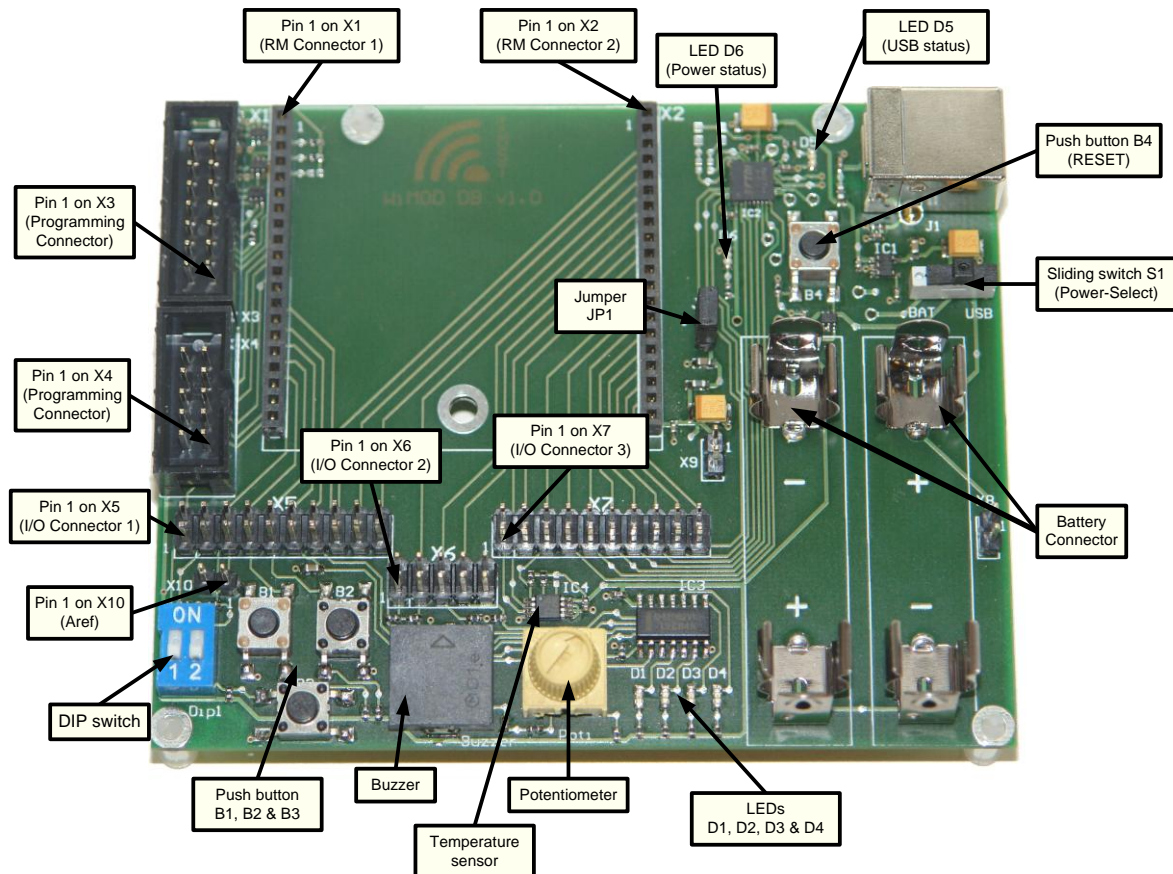


Figure 2-2: WiMOD Demo Board

When using the Demo Board with the iM880B, the module has to be soldered on its specific adapter board AB\_01 and plugged into X1 and X2. Now all necessary module pins are available on X4 (programming interface), X5, X6, and X7 of the Demo Board.

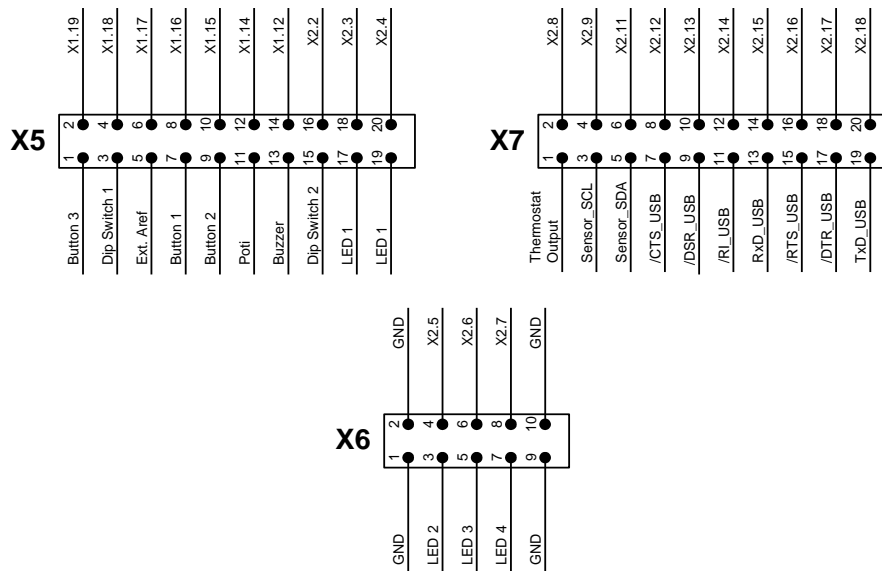


Figure 2-3: Graphical Pinout of the I/O connectors

Pin-Nr.	Connected to	Pin-Nr.	Connected to iM880B Pad Nr.
X5.1	Button 3	X5.2	14
X5.3	DIP Switch 1	X5.4	15
X5.5	Ext. ARef	X5.6	10
X5.7	Button 1	X5.8	13
X5.9	Button 2	X5.10	12
X5.11	Potentiometer	X5.12	9
X5.13	Buzzer	X5.14	8
X5.15	DIP Switch 2	X5.16	29
X5.17	LED 1	X5.18	29
X5.19	LED 1	X5.20	26
X6.1	GND	X6.2	GND
X6.3	LED 2	X6.4	25
X6.5	LED 3	X6.6	24
X6.7	LED 4	X6.8	20
X6.9	GND	X6.10	GND
X7.1	Thermostat Output	X7.2	28
X7.3	Temperature sensor (Sensor_SCL)	X7.4	21
X7.5	Temperature sensor (Sensor_SDA)	X7.6	23
X7.7	/CTS of the USB Controller	X7.8	-
X7.9	/DSR of the USB-Controller	X7.10	-
X7.11	/RI of the USB-Controller	X7.12	-
X7.13	RxD of the USB-Controller	X7.14	19
X7.15	/RTS of the USB-Controller	X7.16	-
X7.17	/DTR of the USB-Controller	X7.18	-
X7.19	TxD of the USB-Controller	X7.20	18

Table 2-1: Wiring of X5, X6 and X7 to the radio module

For more information please refer to the WiMOD Demo Board User Guide.

## 2.3 Programming Interface

The STM32L151Cx-A offers of a JTAG test interface (JTCK, JTMS, JTDI, and JTDO) which can be used for programming the On-chip flash and for accessing the On-chip Debug system. Table 2-2 lists the necessary pads of the iM880B which have to be connected to the programming device.

iM880B Pin #	Demo Board Pin row X4	Description
Pad 5	X4.1	JTDI
-	X4.2	GND
Pad 4	X4.3	JTDO
-	X4.4	VCC – Reference voltage for the programming device; must not be used to supply the demo board and the radio module
Pad 2	X4.5	JTCK
Pad 7	X4.6	/RESET (necessary for using the On-chip debug system)
-	X4.7	
-	X4.8	
Pad 3	X4.9	JTMS
-	X4.10	GND

Table 2-2: Programming and debug interface of the iM880B

With the WiMOD Starter Kit, the JTAG interface is reachable on pin row X4 of the WiMOD Demo Board. The development tool/programming device ST-Link/v2 STMicroelectronics must be connected to X4 using the wiring according to Figure 2-4:

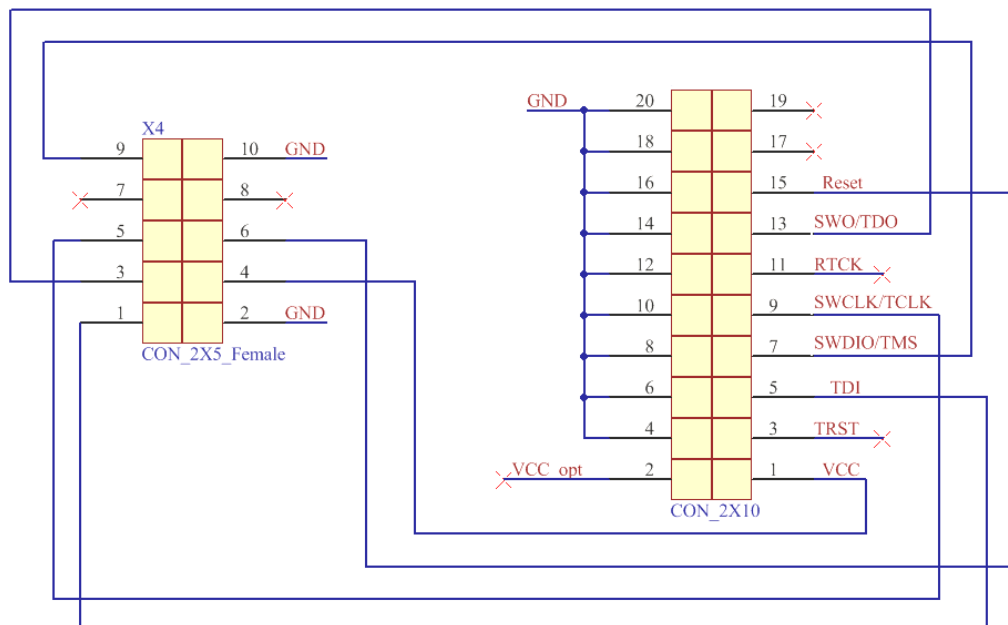


Figure 2-4: Pinout of X4 on the WiMOD Demo Board

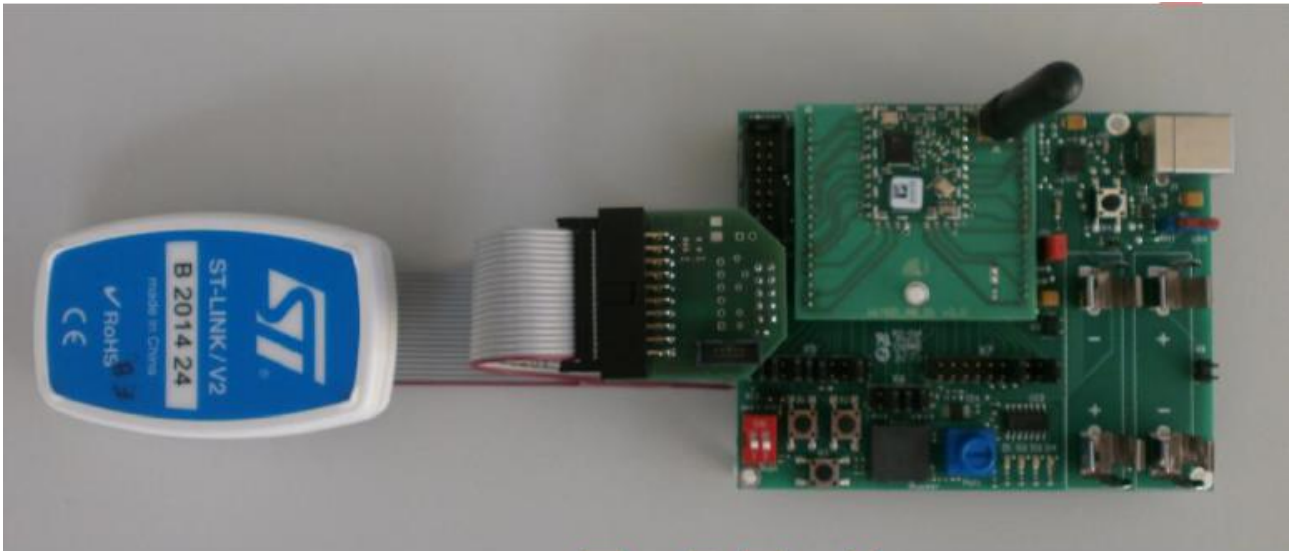


Figure 2-5: ST Link, Programming Adapter and SK-iM880B Demo Board.

## 3 Developing Software for the iM880B

### 3.1 Useful Tools

#### 3.1.1 IAR Embedded Workbench

*IAR Embedded Workbench for ARM* is an integrated development environment (IDE) with high optimizing C/C++ Compiler for ARM microcontrollers.

Link: <http://www.iar.com/en/Products/IAR-Embedded-Workbench/ARM/>, IAR Systems

#### 3.1.2 ST-Link/v2

The ST-LINK/V2 is a low-cost in-circuit debugger and programmer for the STM8 and STM32 microcontroller families. It can be used together *ST-Link Utility* to flash the modules microcontroller. It is also possible to be used with *IAR Embedded Workbench for ARM* for debugging.

Link: <http://www.st.com/stlinkv2>, STMicroelectronics

#### 3.1.3 J-Link Debug Probe

Furthermore many of the J-Link Debug Probes made by Segger can be used to program and debug the iM880B. Link: <http://www.segger.com/jlink-debug-probes.html>, SEGGER Microcontroller GmbH & Co.KG



## 4 Firmware Update by Bootloader

The iM880B comes with an integrated bootloader to flash the device without using a programming adapter. With this bootloader HEX-Files can be loaded into the radio modules microcontroller via the UART interface. We recommend arranging an external access to the UART lines in your product design.

The bootloader uses the UART pins RxD and TxD and the bootloader pin (module pad 26) of the radio module to enter the bootloading mode.

### 4.1 Studio Support

Bootloading functionality is included within the LoRaWAN\_EndNode\_Studio and the LR\_Studio under the "File" Menu. Please follow the instructions given by the tool.

### 4.2 iX880 Update Tool

**Important note:** The iX880 Update tool is deprecated. It only supports the iM880A/iU880A devices. The iM880B module is NOT supported. Please use the tools described in chapter 4.1.

With the iX880 Update Tool the iM880A and the iU880A can be updated with the integrated bootloader in an easy way.

- Download the iX880 Update Tool from <http://www.wireless-solutions.de> and extract the ZIP archive to your local drive
- Connect the iM880B device via USB Cable to your PC
- Select the right COM Port

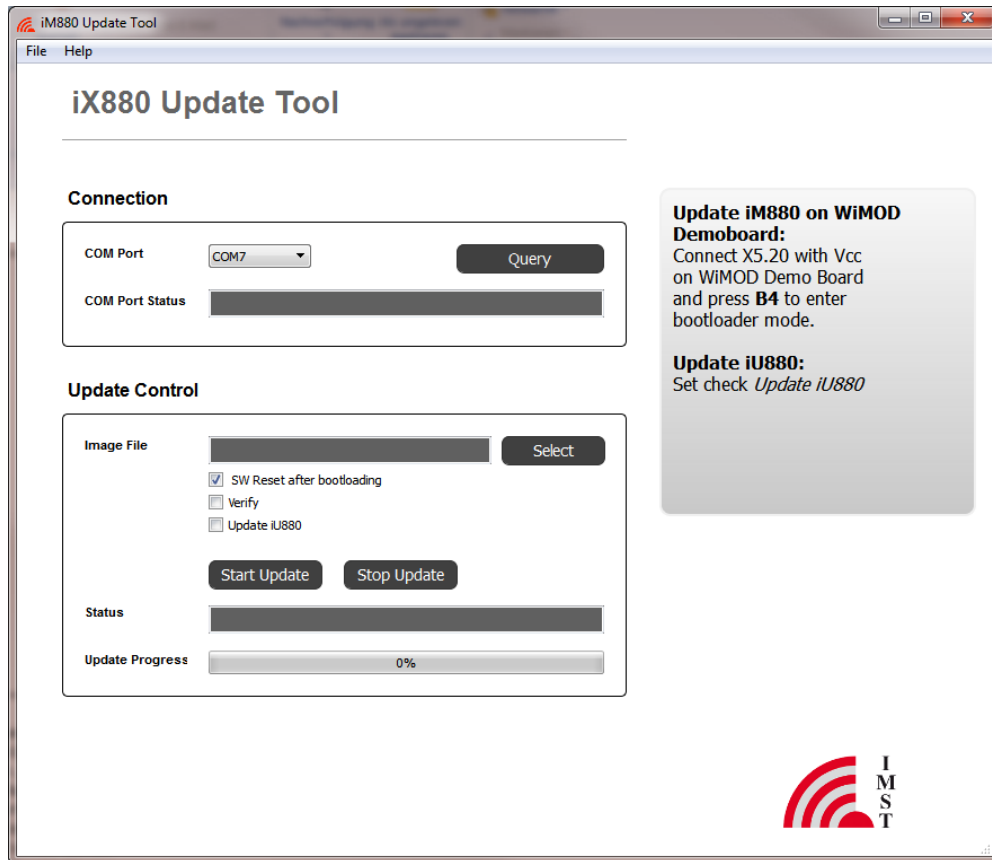


Figure 4-1: iX880 Update Tool

- For iM880A on WiMOD Demoboard a bootloading cable needs to be mounted to enter the bootloader mode according the following description:  
Connect the iM880A bootloader pin to Vcc and power cycle the radio module (see Figure 4-2).

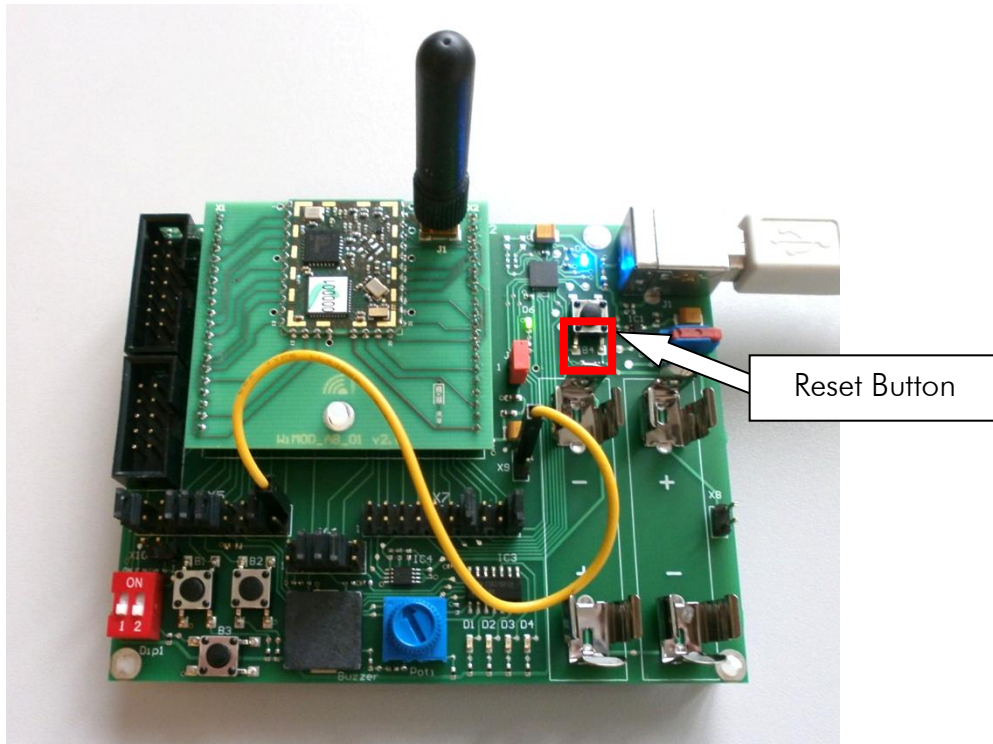


Figure 4-2: Establishing Bootloader Mode

On WiMOD Demo Board the iM880A bootloader pin1 is routed to connector X5.20. Connect X5.20 with X9.1 (Vcc) and press the reset button (B4) to power cycle the radio module.

- To update the iU880A USB Stick device the bootloader mode is entered automatically if the check on *Update iU880A* (see Figure 4-3) is set. Make sure that no other WiMOD USB devices are attached to your PC during update process.

#### Update Control

Image File

SW Reset after bootloading

Verify

Update iU880

Status

Update Progress

Figure 4-3: Check Update iU880A

<sup>1</sup> If using iM880A without WiMOD Demo Board, connect module pad 26 with Vcc to enter bootloader mode.

- Press *Start Update* to start the bootloading process
- After download has been completed, remove bootloader cable and press the reset button (B4) on WiMOD Demo board.

## 5 Appendix

### 5.1 List of Abbreviations

JTAG Joint Test Action Group

UART Universal Asynchronous Receiver Transmitter

USB Universal Serial Bus

VCP Virtual Com Port

### 5.2 List of Figures

Figure 2-1: Logical routing of the iM880B .....4

Figure 2-2: WiMOD Demo Board .....5

Figure 2-3: Graphical Pinout of the I/O connectors .....6

Figure 2-4: Pinout of X4 on the WiMOD Demo Board.....7

Figure 2-5: ST Link, Programming Adapter and SK-iM880B Demo Board.....8

Figure 4-1: iX880 Update Tool.....10

Figure 4-2: Establishing Bootloader Mode .....11

Figure 4-3: Check Update iU880B .....11

### 5.3 List of Tables

Table 2-1: Wiring of X5, X6 and X7 to the radio module .....6

Table 2-2: Programming and debug interface of the iM880B .....7

## 6 Regulatory Compliance Information

The use of radio frequencies is limited by national regulations. The radio module has been designed to comply with the European Union's R&TTE (Radio & Telecommunications Terminal Equipment) directive 1999/5/EC and can be used free of charge within the European Union. Nevertheless, restrictions in terms of maximum allowed RF power or duty cycle may apply.

The radio module has been designed to be embedded into other products (referred as "final products"). According to the R&TTE directive, the declaration of compliance with essential requirements of the R&TTE directive is within the responsibility of the manufacturer of the final product. A declaration of conformity for the radio module is available from IMST GmbH on request.

The applicable regulation requirements are subject to change. IMST GmbH does not take any responsibility for the correctness and accuracy of the aforementioned information. National laws and regulations, as well as their interpretation can vary with the country. In case of uncertainty, it is recommended to contact either IMST's accredited Test Center or to consult the local authorities of the relevant countries.

## 7 Important Notice

### 7.1 Disclaimer

IMST GmbH points out that all information in this document is given on an “as is” basis. No guarantee, neither explicit nor implicit is given for the correctness at the time of publication. IMST GmbH reserves all rights to make corrections, modifications, enhancements, and other changes to its products and services at any time and to discontinue any product or service without prior notice. It is recommended for customers to refer to the latest relevant information before placing orders and to verify that such information is current and complete. All products are sold and delivered subject to “General Terms and Conditions” of IMST GmbH, supplied at the time of order acknowledgment.

IMST GmbH assumes no liability for the use of its products and does not grant any licenses for its patent rights or for any other of its intellectual property rights or third-party rights. It is the customer’s duty to bear responsibility for compliance of systems or units in which products from IMST GmbH are integrated with applicable legal regulations. Customers should provide adequate design and operating safeguards to minimize the risks associated with customer products and applications. The products are not approved for use in life supporting systems or other systems whose malfunction could result in personal injury to the user. Customers using the products within such applications do so at their own risk.

Any reproduction of information in datasheets of IMST GmbH is permissible only if reproduction is without alteration and is accompanied by all given associated warranties, conditions, limitations, and notices. Any resale of IMST GmbH products or services with statements different from or beyond the parameters stated by IMST GmbH for that product/solution or service is not allowed and voids all express and any implied warranties. The limitations on liability in favor of IMST GmbH shall also affect its employees, executive personnel and bodies in the same way. IMST GmbH is not responsible or liable for any such wrong statements.

Copyright © 2013, IMST GmbH

### 7.2 Contact Information

IMST GmbH

Carl-Friedrich-Gauss-Str. 2-4  
47475 Kamp-Lintfort  
Germany

T +49 2842 981 0

F +49 2842 981 299

E [sales@imst.de](mailto:sales@imst.de)

I [www.wireless-solutions.de](http://www.wireless-solutions.de)