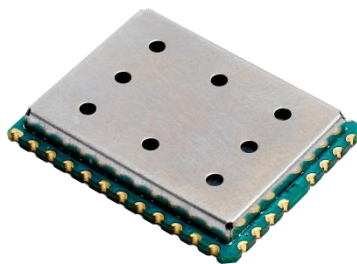


WiMOD iM282A

Datasheet Version 1.0



Document ID: 4000/40140/0124

IMST GmbH

Carl-Friedrich-Gauß-Str. 2-4

47475 KAMP-LINTFORT

GERMANY



Document Information

| | |
|-------------|-----------------------|
| File name | iM282A_Datasheet.docx |
| Created | 2018-03-26 |
| Total pages | 28 |

Revision History

| Version | Note |
|---------|----------|
| 1.0 | Released |
| | |

Aim of this Document

The aim of this document is to give a detailed product description including interfaces, features and performance of the radio module iM282A.



Table of Contents

| | |
|---|----|
| 1. INTRODUCTION | 4 |
| 1.1 Key Features | 4 |
| 1.2 Applications | 4 |
| 2. MODULE OVERVIEW | 5 |
| 3. LoRa MODULATION TECHNIQUE | 7 |
| 4. FLRC MODULATION TECHNIQUE | 8 |
| 4.1 FLRC Modem Bandwidth and Data Rates | 8 |
| 5. FSK MODULATION TECHNIQUE | 10 |
| 6. ELECTRICAL CHARACTERISTICS | 11 |
| 6.1 Absolute Maximum Ratings | 11 |
| 6.2 Global Electrical Characteristics | 12 |
| 6.3 Module Interface Characteristics | 13 |
| 6.4 RF Characteristics | 14 |
| 6.4.1 Transmitter RF Characteristics | 14 |
| 7. MODULE PACKAGE | 15 |
| 7.1 Pinout Description | 15 |
| 7.2 Module Dimensions | 17 |
| 7.3 Recommended Footprint | 17 |
| 8. MODULE INTERFACE CHARACTERISTICS | 18 |
| 8.1 Programming Interface | 18 |
| 9. INTEGRATION GUIDE | 19 |
| 9.1 Typical Application Schematic | 19 |
| 9.2 RED-Compliant Settings | 19 |
| 9.3 PCB Design Recommendation | 20 |
| 9.4 Recommended Soldering Conditions | 21 |
| 10. ORDERING INFORMATION | 22 |
| 11. APPENDIX | 23 |
| 11.1 List of Abbreviations | 23 |
| 11.2 List of Figures | 24 |

| | |
|---|-----------|
| 11.3 List of Tables | 24 |
| 11.4 References | 24 |
| 12. RESTRICTIONS AND LIMITATIONS | 25 |
| 12.1 Software Restrictions and Limitations | 25 |
| 12.2 Compliancy Restrictions and Limitations | 25 |
| 12.3 Disclaimer | 26 |
| 13. CONTACT INFORMATION | 27 |

1. Introduction

The iM282A is a compact, low power, bidirectional radio module for the 2.4 GHz frequency band using Semtech's LoRa™ modulation technology. The module provides ultra-long range spread spectrum communication and high interference immunity whilst minimising current consumption. Using the iM282A in an application minimizes the need for an expensive and time-consuming RF development. Fast time to market is possible with this pre-qualified module.

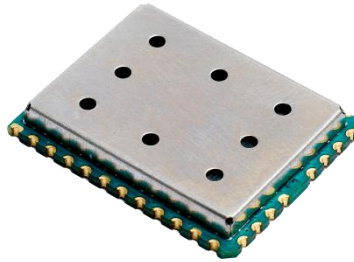


Figure 1-1: Picture of iM282A

1.1 Key Features

- Compact module 20.0 x 25.0 x 3.3 mm
- LoRa™, FLRC, FSK modulation
- Sensitivity down to -130 dBm
- UART, SPI and I²C interface
- Digital inputs and outputs
- Analog inputs
- Supply voltage range from 1.8 to 3.6 V
- RF interface optimized to 50 Ω
- Output power level up to +12 dBm
- High link budget up to 142 dB
- Range more than 12,000 m (LoS¹)
- Powerful Cortex M3
- Pre-Certified according to EN 300 328

1.2 Applications

- Automated Meter Reading
- Wireless Networks
- Home-, Building-, Industrial automation
- Remote Control
- Wireless Sensors
- Telemetry
- Wireless Alarm and Security Systems
- ...

Please visit our web site www.wireless-solutions.de for more information.

¹ LoS: Line of Sight

2. Module Overview

The iM282A is an ultra-long range, high-performance, pre-certified module for wireless communication. It operates in the license free 2.4 GHz ISM frequency band and includes all necessary passive components for wireless communication as depicted in the following figure.

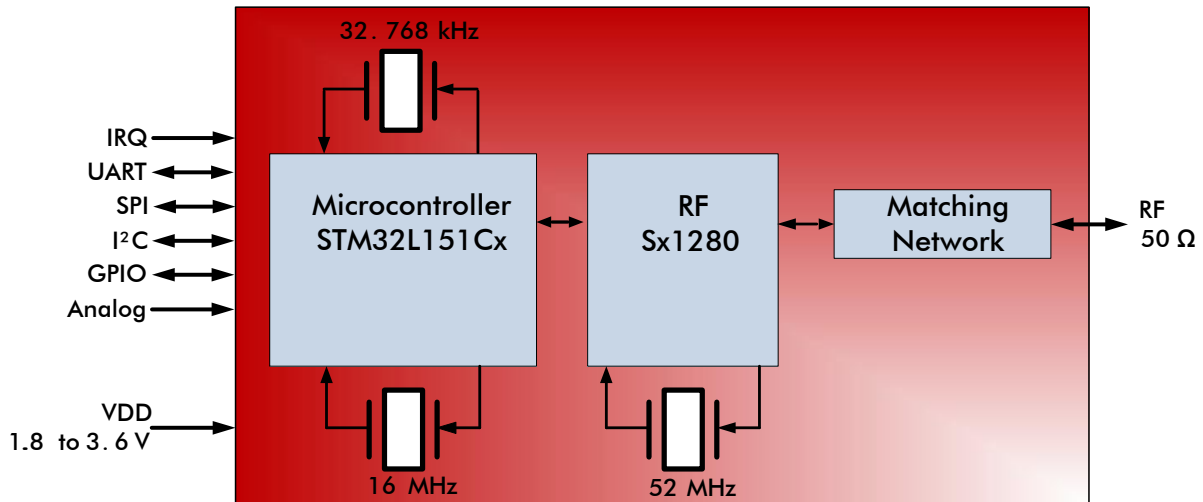


Figure 2-1: Block Diagram of Radio Module iM282A

The iM282A uses Semtech’s LoRa™ as well as FLRC (Fast Long Range Communication) modulation technique which combine spread spectrum modulation and forward error correction techniques to increase the range and robustness of radio communication links compared with traditional FSK or OOK based modulation. Typically examples of iM282A receive performances are given in the following table.

| Signal Bandwidth [kHz] | Spreading Factor | Sensitivity [dBm] |
|------------------------|------------------|-------------------|
| 203 | 5 | -109 |
| 203 | 12 | -130 |
| 406 | 5 | -105 |
| 406 | 12 | -127 |
| 812 | 5 | -103 |
| 812 | 12 | -126 |
| 1,625 | 5 | -99 |
| 1,625 | 12 | -120 |

Table 2-1: Typically Radio Performance of iM282A

Additionally to the LoRa™ and FLRC modulation it is possible to use (G)FSK modulation.

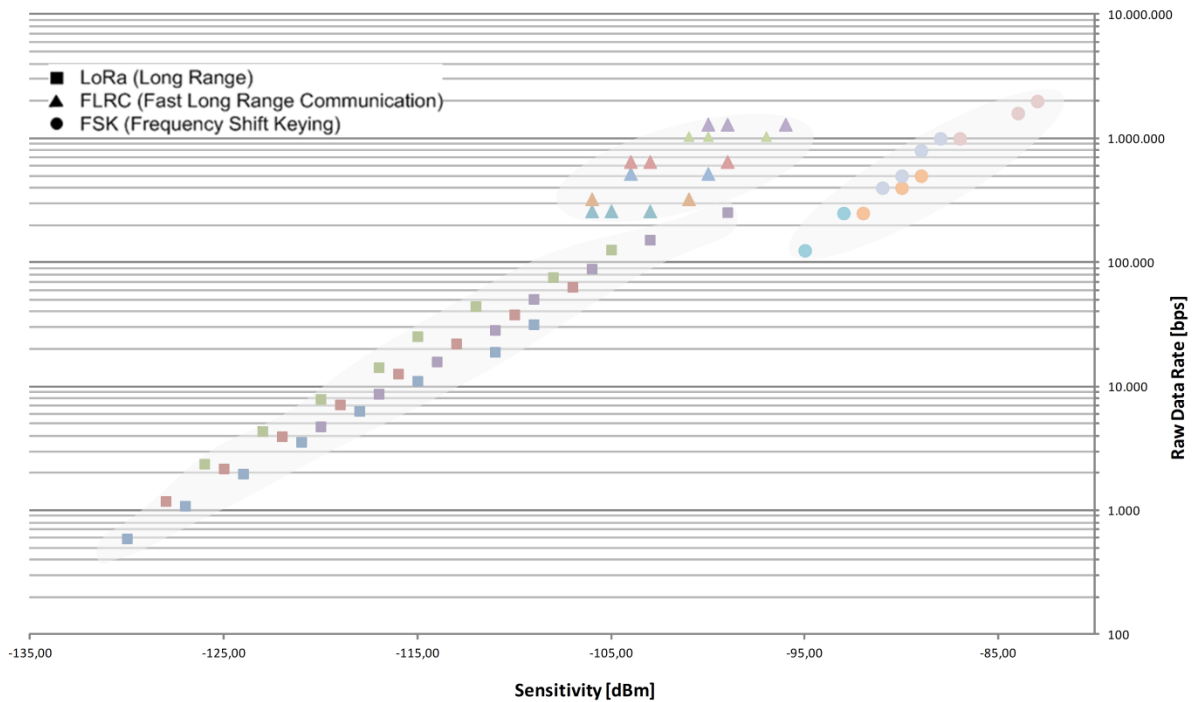


Figure 2-2: Raw Data Rate and Sensitivity for different operation modes

The high sensitivity combined with the maximum output power of +12 dBm yields an industry leading link budget.

The module is solderable like a SMD component and can easily be mounted on a simple carrier board with a minimum of required external connections. It is RoHS compliant and pre-qualified in accordance to EN 300 328.

The wide range of capabilities provided by the iM282A can be tested by using the WiMOD Demo Board (part of the WiMOD Starter Kit).

3. LoRa Modulation Technique

The iM282A uses Semtech's LoRa proprietary spread spectrum modulation technique. This modulation, in contrast to conventional modulation techniques, permits an increase in link budget and increased immunity to in-band interference. It increases the range and robustness of radio communication compared to traditional FSK and OOK modulation.

LoRa™ also provides significant advantages in both blocking and selectivity, solving the traditional design compromise between range, interference immunity and energy consumption.

In LoRa™ mode the iM282A offers four bandwidth options of 203 kHz, 406 kHz, 812 kHz and 1,625 kHz with spreading factors ranging from 5 to 12.

The spread spectrum LoRa™ modulation is performed by representing each bit of payload information by multiple chips of information. The rate at which the spread information is sent is referred to as the symbol rate (R_s), the ratio between the nominal symbol rate and chip rate is the spreading factor and represents the number of symbols sent per bit of information. The range of parameters which can be configured is given in the following tables.

| Spreading Factor | Chips/Symbol | SNR/[dB] |
|------------------|--------------|----------|
| 5 | 32 | Tbd |
| 6 | 64 | Tbd |
| 7 | 128 | Tbd |
| 8 | 256 | Tbd |
| 9 | 512 | Tbd |
| 10 | 1024 | Tbd |
| 11 | 2048 | Tbd |
| 12 | 4096 | Tbd |

Table 3-1: Spreading Factors of SX1280

Note that the spreading factor must be known in advance on both transmit and receive sides of the radio link as different spreading factors are orthogonal to each other. Note also the resulting signal to noise ratio (SNR) required at the receiver input. It is the capability to receive signals with negative SNR that increases the sensitivity, so link budget and range, of the LoRa™ receiver.

To further improve the robustness of the radio link iM282A provides cyclic error coding with different coding rates. With using this coding scheme forward error detection and correction can be applied.

| Coding Rate | Cyclic Coding Rate | Overhead Ratio |
|-------------|--------------------|----------------|
| 1 | 4/5 | 1.25 |
| 2 | 4/6 | 1.5 |
| 3 | 4/7 | 1.75 |
| 4 | 4/8 | 2 |

Table 3-2: Coding Rate of iM282A

4. FLRC Modulation Technique

The Fast Long Range Communication (FLRC) modem uses coherent demodulation of GMSK signals with additional forward error correction (FEC) and interleaving techniques. The modulation parameters are accessible by the user and allow high speed communication with an improved link budget of up to 10dB compared to FSK modulation at the same data rate.

4.1 FLRC Modem Bandwidth and Data Rates

The FLRC modem covers data rates from 260 kbps up to 1.3 Mbps with modulation bandwidths from 0.3 MHz to 2.4 MHz. In Table 4-1 the valid combinations of possible data rates and bandwidth are shown.

| Symbol | RAW Bit Rate [Mbps] | Bandwidth [MHz] |
|----------------------|---------------------|-----------------|
| FLRC_BR_1_300_BW_1_2 | 1.3 | 1.2 |
| FLRC_BR_1_040_BW_1_2 | 1.04 | 1.2 |
| FLRC_BR_0_650_BW_0_6 | 0.65 | 0.6 |
| FLRC_BR_0_520_BW_0_6 | 0.52 | 0.6 |
| FLRC_BR_0_325_BW_0_3 | 0.325 | 0.3 |
| FLRC_BR_0_260_BW_0_3 | 0.26 | 0.3 |

Table 4-1: Valid FLRC Data Rate and Bandwidth Combinations of iM282A¹

¹ Values given by SX1280 datasheet

Optionally a FEC can be used to improve communication performance which leads to the effective bit rates and sensitivities listed in Table 4-2.

| Symbol | RAW Bit Rate [Mbps] | Coding Rate | Effective Bit Rate [Mbps] | Sensitivity ¹ [dBm] |
|----------------------|---------------------|---------------|---------------------------|--------------------------------|
| FLRC_BR_1_300_BW_1_2 | 1.3 | 1 | 1.300 | -96 |
| | | $\frac{3}{4}$ | 0.975 | -100 |
| | | $\frac{1}{2}$ | 0.650 | -99 |
| FLRC_BR_1_040_BW_1_2 | 1.04 | 1 | 1.040 | -97 |
| | | $\frac{3}{4}$ | 0.780 | -100 |
| | | $\frac{1}{2}$ | 0.520 | -101 |
| FLRC_BR_0_650_BW_0_6 | 0.65 | 1 | 0.650 | -99 |
| | | $\frac{3}{4}$ | 0.488 | -103 |
| | | $\frac{1}{2}$ | 0.325 | -104 |
| FLRC_BR_0_520_BW_0_6 | 0.52 | 1 | 0.520 | -100 |
| | | $\frac{3}{4}$ | 0.390 | -104 |
| | | $\frac{1}{2}$ | 0.260 | -104 |
| FLRC_BR_0_325_BW_0_3 | 0.325 | 1 | 0.325 | -101 |
| | | $\frac{3}{4}$ | 0.195 | -106 |
| | | $\frac{1}{2}$ | 0.130 | -106 |
| FLRC_BR_0_260_BW_0_3 | 0.26 | 1 | 0.260 | -103 |
| | | $\frac{3}{4}$ | 0.195 | -105 |
| | | $\frac{1}{2}$ | 0.130 | -106 |

Table 4-2: Data Rates and Sensitivity of FLRC with FEC of iM282A

¹ Sensitivity values given by SX1280 datasheet

5. FSK Modulation Technique

- FSK Modem which supports FSK, GFSK, MSK and GMSK modulations
- Physical layer compatible to BT-LE
- Data rates from 125 kbps to 2 Mbps

| Symbol | RAW Bit Rate [Mbps] | Bandwidth [MHz] | Sensitivity ¹ [dBm] |
|---------------------|---------------------|-----------------|--------------------------------|
| FSK_BR_2_000_BW_2_4 | 2.0 | 2.4 | -83 |
| FSK_BR_1_600_BW_2_4 | 1.6 | 2.4 | -84 |
| FSK_BR_1_000_BW_2_4 | 1.0 | 2.4 | -87 |
| FSK_BR_1_000_BW_1_2 | 1.0 | 1.2 | -88 |
| FSK_BR_0_800_BW_2_4 | 0.8 | 2.4 | -87 |
| FSK_BR_0_800_BW_1_2 | 0.8 | 1.2 | -89 |
| FSK_BR_0_500_BW_1_2 | 0.5 | 1.2 | -90 |
| FSK_BR_0_500_BW_0_6 | 0.5 | 0.6 | -89 |
| FSK_BR_0_400_BW_1_2 | 0.4 | 1.2 | -91 |
| FSK_BR_0_400_BW_0_6 | 0.4 | 0.6 | -90 |
| FSK_BR_0_250_BW_0_6 | 0.25 | 0.6 | -92 |
| FSK_BR_0_250_BW_0_3 | 0.25 | 0.3 | -93 |
| FSK_BR_0_125_BW_0_3 | 0.125 | 0.3 | -95 |

Table 5-1: Valid FSK Data Rate and Bandwidth Combinations with Sensitivity of iM282A

¹ Sensitivity values given by SX1280 datasheet

6. Electrical Characteristics

In the following different electrical characteristics of the iM282A are listed. Furthermore details and other parameter ranges are available on request.

Note: National laws and regulations, as well as their interpretation can vary with the country. In case of uncertainty, it is recommended to contact either IMST's accredited Test Center or to consult the local authorities of the relevant countries.

6.1 Absolute Maximum Ratings

Note: Stress exceeding of one or more of the limiting values listed under "Absolute Maximum Ratings" may cause permanent damage to the radio module.

| Parameter | Condition | Min | Typ. | Max | Unit |
|---|-----------|------|------|-----|------|
| Supply Voltage (VDD) | | -0.3 | - | 3.9 | V |
| Storage Temperature | | -40 | - | +85 | °C |
| Operating Temperature | | -40 | - | +85 | °C |
| RF Input Power | | | | +0 | dBm |
| ESD (Human Body Model) | | | 2000 | | V |
| ESD (Charge Device Model) | | | 500 | | V |
| | | | | | |
| Notes: 1) Unless otherwise noted, all voltages are with respect to GND | | | | | |

Table 6-1: Absolute Maximum Ratings

6.2 Global Electrical Characteristics

T = 25°C, VDD = 3.0 V (typ.) if nothing else stated

| Parameter | Condition | Min | Typ. | Max | Unit | |
|---|--|---------------------|--------|-----|---------------------------|----|
| Supply Voltage (VDD) | | 1.8 | 3.0 | 3.6 | V | |
| Current Consumption Low Power Mode | RTC off | | 0.8 | | μA | |
| | RTC on | | 2.0 | | μA | |
| Current Consumption System IDLE | TRX off mode, μC idle mode | | 5.0 | | mA | |
| Current Consumption RECEIVE LoRa | TRX receive mode, μC sleep mode | | 9.0 | | mA | |
| Current Consumption TRANSMIT | TRX transmit mode, μC sleep mode | Power Setting 8 | | 25 | | mA |
| | | Power Setting 11 | | 31 | | mA |
| | | Power Setting 13 | | 34 | | mA |
| MCU operation frequency | HSE Clock | | 16 | | MHz | |
| | HSE Clock with PLL Multiplex | | 32 | | MHz | |
| | LSE Clock | | 32.768 | | kHz | |
| Memory (Flash) | iM282A-L | | 128 | | kByte | |
| Flash Memory Endurance | Program memory | 10k | | | Erase/ Write Cycles | |
| | Data memory | 300k | | | | |
| Memory (RAM) | iM282A-L | | 32 | | kByte | |
| Notes: 1) If not other stated, all measurement values are obtained based on firmware "WiMOD LRBase+" | | | | | | |

Table 6-2: General Characteristics

6.3 Module Interface Characteristics

T = 25°C, VDD = 3 V (typ.) if nothing else stated

| Parameter | Condition | Min | Typ. | Max | Unit |
|---|------------------------------------|---------------|-------|----------|------|
| Digital output voltage (high level) | 1.8 V < VDD < 2.7 V, 4 mA (max) | VDD -0.45 | - | - | V |
| | 2.7 V < VDD < 3.6 V, 8 mA (max) | VDD -0.4 | | | |
| Digital output voltage (low level) | 1.8 V < VDD < 2.7 V, 4 mA (max) | - | - | 0.45 | V |
| | 2.7 V < VDD < 3.6 V, 8 mA (max) | - | | 0.4 | |
| Digital input voltage (high level) | BOOT0 | 0.15 VDD+0.56 | - | - | V |
| | 5 V tolerant IOs | 0.39 VDD+0.59 | - | - | V |
| | Other IOs | 0.45 VDD+0.38 | - | - | V |
| Digital input voltage (low level) | BOOT0 | - | - | 0.14 VDD | V |
| | Other IOs | - | - | 0.3 VDD | V |
| UART baud rate | | | 115.2 | | kbps |
| Notes: 1) Unless otherwise noted, all voltages are with respect to GND | | | | | |

Table 6-3: Module Interface Characteristics

6.4 RF Characteristics

6.4.1 Transmitter RF Characteristics

The iM282A has an excellent transmitter performance as given by Table 6-4. For further details, refer to Figure 6-1 which gives an overview of RF output power levels versus power level settings and its current consumption with microcontroller in sleep mode.

T = 25°C, VDD = 3 V (typ.), 2440 MHz if nothing else stated

| Parameter | Condition | Min | Typ. | Max | Unit |
|--|------------------|------|------|------|------|
| Frequency Range | | 2400 | - | 2482 | MHz |
| RF Output Power ¹ | Power Setting 8 | | 8 | | dBm |
| | Power Setting 11 | | 10 | | dBm |
| | Power Setting 13 | | 12 | | dBm |
| Modulation Techniques | LoRa™, FLRC, FSK | | | | |
| TX Frequency Variation vs. Temperature | -40 to +85°C | - | ±20 | - | kHz |
| TX Power Variation vs. Temperature | | - | ±0.8 | - | dB |

Table 6-4: Transmitter RF Characteristics

Note: The antenna has to be matched with a maximum VSWR of 3:1.

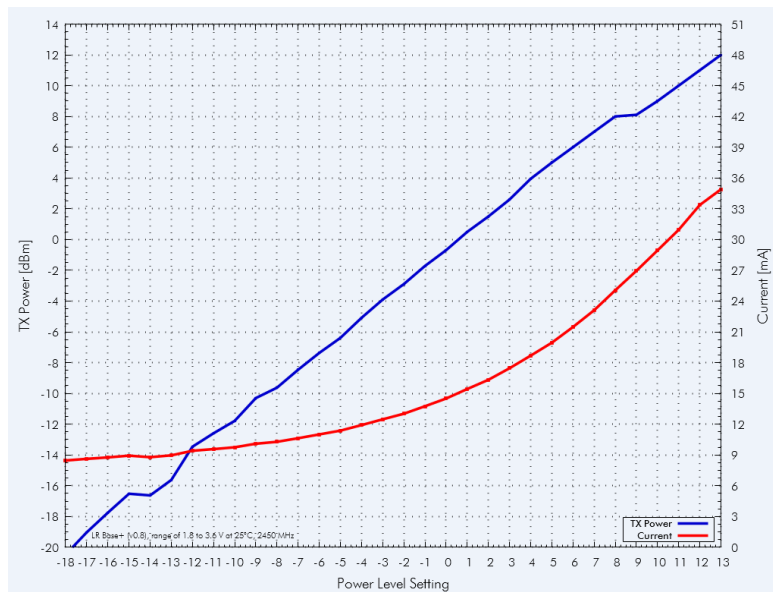


Figure 6-1: RF output power level and current consumption² versus power stages from -18 to 13 @ 25°C

¹ For RED compliance the maximum radiated power has to be limited, see chapter 9.2

² Current consumption is a mean value of currents though the whole voltage supply range



7. Module Package

In the following the iM282A module package is described. This description includes the iM282A pinout as well as the modules dimensions. Furthermore a recommendation for a suitable footprint is given, which should be used for further mounting on appropriate carrier boards.

7.1 Pinout Description

Figure 7-1 depicts a description of the iM282A's pads on the bottom side. The figure shows the module with its pinout in top view (right figure). A detailed description of the individual pins can be found in Table 7-1: iM282A Pinout Table.

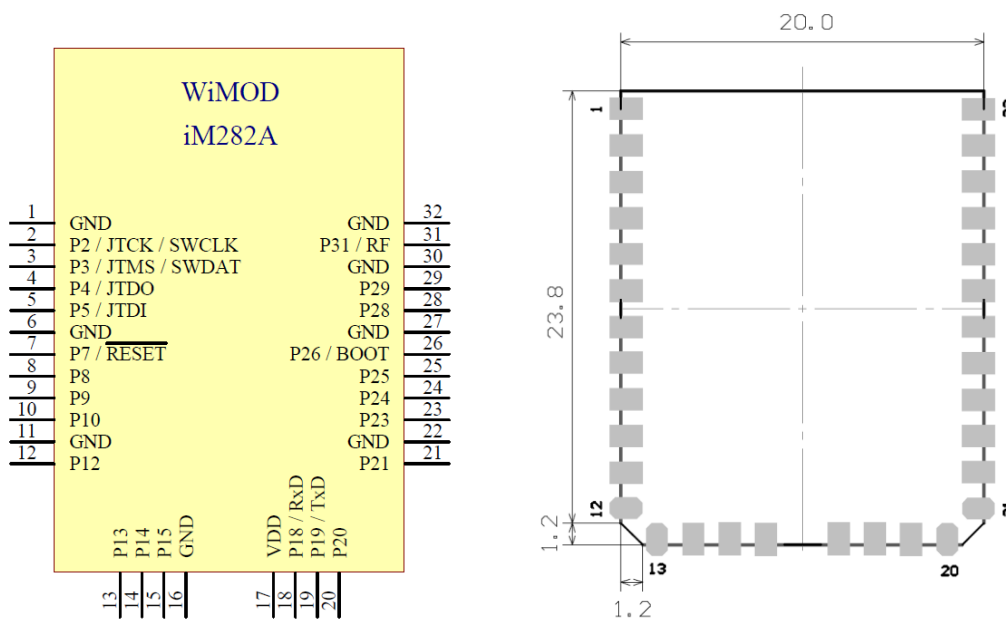


Figure 7-1: Description of iM282A module pins and top view

| PIN | PIN Name | PIN Type | MCU Pin (number) | 5 V Tolerance | Description |
|-----|----------|----------------|---------------------------|---------------|---|
| 1 | GND | Supply | | - | Ground connection |
| 2 | P2 | D IN/OUT | PA_14 (P37) | Yes | Digital IO / JTCK / SWCLK |
| 3 | P3 | D IN/OUT | PA_13 (P34) | Yes | Digital IO / JTMS / SWDIO |
| 4 | P4 | D IN/OUT | PB_3 (P39) | Yes | Digital IO / JTDO |
| 5 | P5 | D IN/OUT | PA_15 (P38) | Yes | Digital IO / JTDI |
| 6 | GND | Supply | | - | Ground connection |
| 7 | nReset | D IN | NRST (P7) | No | NReset, internally pulled-up by 47 k Ω |
| 8 | P8 | D IN/OUT | PA_11 (P32) | Yes | Digital IO / USART1-CTS |
| 9 | P9 | D IN/OUT | PA_12 (P33) | Yes | Digital IO / USART1-RTS |
| 10 | P10 | D IN/OUT | PB7 (P43) | Yes | Digital IO / TIM4_Ch2 |
| 11 | GND | Supply | | - | Ground connection |
| 12 | P12 | D IN/OUT, A IN | PB_14 (P27) | Yes | Digital IO / SPI2_MISO / ADC_IN20 |
| 13 | P13 | D IN/OUT, A IN | PB_15 (P28) | Yes | Digital IO / SPI2_MOSI / ADC_IN21 |
| 14 | P14 | D IN/OUT, A IN | PB_13 (P26) | Yes | Digital IO / SPI2_CLK / ADC_IN19 |
| 15 | P15 | D IN/OUT, A IN | PB_12 (P25) | Yes | Digital IO / SPI2_NSS / ADC_IN18 |
| 16 | GND | Supply | | - | Ground connection |
| 17 | VDD | Supply | | - | Supply voltage |
| 18 | RxD | D IN/OUT | PA_10 (P31) PB_6 (P42) | Yes | Digital IO / USART1-RX |
| 19 | TxD | D IN/OUT | PA_9 (P30) | Yes | Digital IO / USART1-TX |
| 20 | P20 | D IN/OUT | PA_8 (P29) | Yes | Digital IO |
| 21 | P21 | D IN/OUT | PB_8 (P45) | Yes | Digital IO / I2C1-SCL |
| 22 | GND | Supply | | - | Ground connection |
| 23 | P23 | D IN/OUT | PB_9 (P46) | Yes | Digital IO / I2C1-SDA |
| 24 | P24 | D IN/OUT, A IN | PC_13 (P2) | Yes | Digital IO / ADC_IN1 |
| 25 | P25 | D IN/OUT, A_IN | PA_0 (P10) | Yes | Digital IO / WKUP1 / ADC_IN0 |
| 26 | P26 | D IN | BOOT0 (P44) | No | Bootloader Pin 0, internally pulled-down by 47 k Ω |
| 27 | GND | Supply | | - | Ground connection |
| 28 | P28 | D IN/OUT, A_IN | PA_2 (P12) | Yes | Digital IO / ADC_IN2, USART2-TX |
| 29 | P29 | D IN/OUT, A IN | PA_3 (P13) | No | Digital IO / ADC_IN3 |
| 30 | GND | Supply | | - | Ground connection |
| 31 | P31 | RF | | - | External 50 Ω port for monostatic antenna connection |
| 32 | GND | Supply | | - | Ground connection |

Table 7-1: iM282A Pinout Table

7.2 Module Dimensions

The outer dimensions of the iM282A are given by Figure 7-2 and Figure 7-3. The height of the iM282A is typically 3.3 mm.

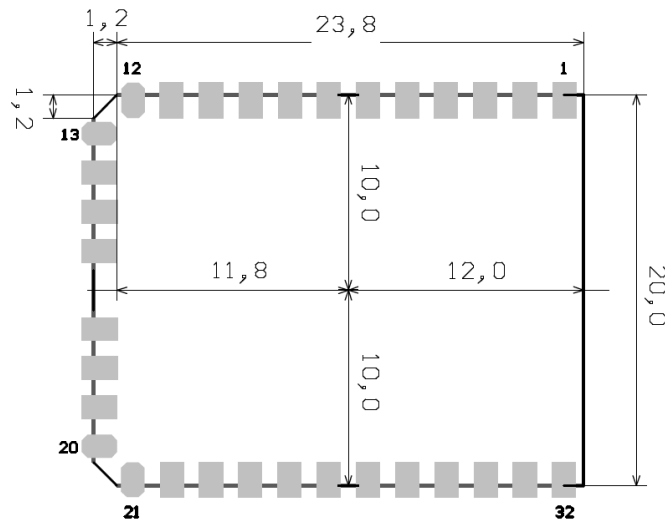


Figure 7-2: Outer Dimensions of the iM282A (top view)

7.3 Recommended Footprint

According to Chapter 7.2, a recommendation for the footprint of the iM282A is given by Figure 7-3.

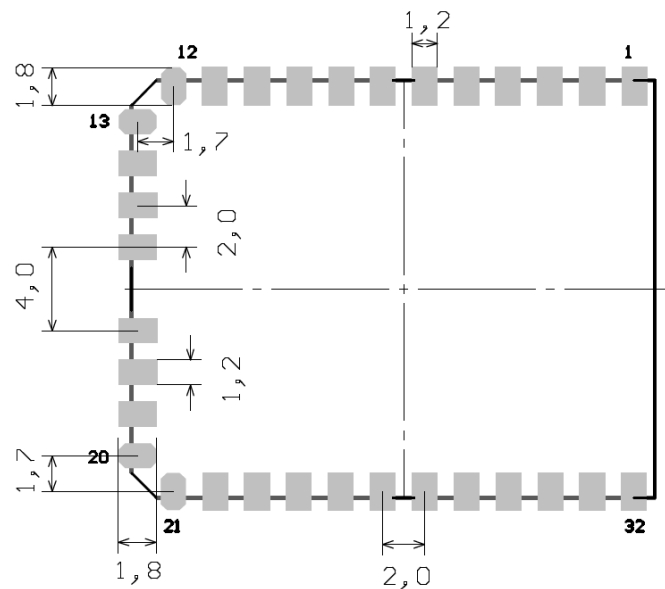


Figure 7-3: Recommended footprint of the iM282A (top view)

8. Module Interface Characteristics

8.1 Programming Interface

For programming the module with special firmware versions, there are two types of interfaces supported: A SWD/JTAG-interface, which require a special programmer, as well as a bootloader-interface, for updating the modules firmware via UART-interface. For more details refer to [\[3\]](#).

9. Integration Guide

The iM282A provides 32 connectors as described in Chapter 7. For integrating the iM282A into an environment, a typically circuit as given in Chapter 9.1 can be used. While designing the PCB Layout, the recommendations of Chapter 9.3 should be applied, as well as the recommendation for soldering in Chapter 9.4.

9.1 Typical Application Schematic

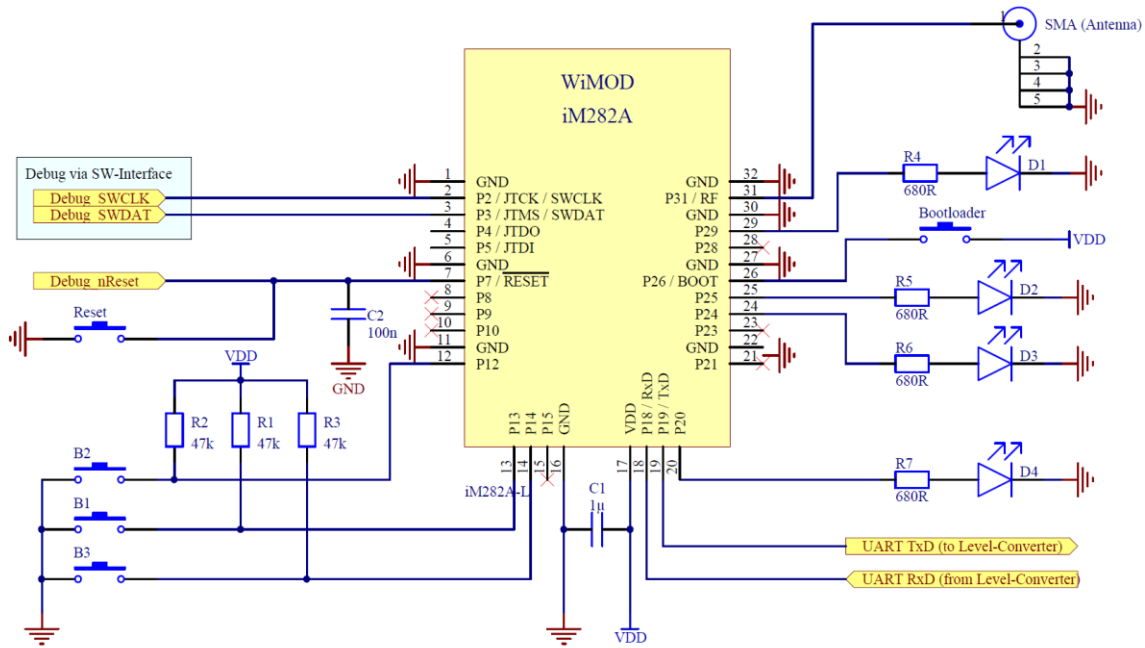


Figure 9-1: Typical Application Schematic for iM282A

9.2 RED-Compliant Settings

RED pre-certification was done based on the WiMOD SK-282A Starter Kit with an antenna giving 0 dBi gain. Due to special requirements of the RED certification the current output power is limited by software to +8 dBm with respect to extreme conditions. The usage of higher output power of up to +12 dBm can be achieved in improving the current software.



9.3 PCB Design Recommendation

The Top Layer of the carrier board should be kept free of tracks and vias under the iM282A because there are some test pads on the bottom side of the module which are not covered by solder resist.

All GND pads of the module should be connected via low impedance path to GND.

The iM282A's RF interface is already matched to 50 Ω. By using an adequate 50 Ω antenna, no additional matching components are required¹. For an ideal signal transmission between the modules RF pad and the antenna, the transmission line should be as short as possible and represent an impedance of 50 Ω.

Note: Disregarding this recommendation can affect the RF performance respective RF output power, sensitivity and unwanted emissions.

This impedance depends on frequency and PCB structure. It is recommended to use a coplanar waveguide with lower ground plane (CPWG) structure, to reduce effects of electromagnetic fields. The impedance of transmission lines for grounded CPWG is basically affected by height H and material of the substrate, gap G between transmission line and ground on the top layer, as well as width W and thickness T of the transmission lines (Figure 9-2).

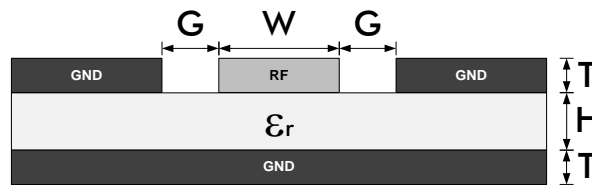


Figure 9-2: Structure of a grounded CPWG

Assuming a frequency of approx. 2.4 GHz, FR4 ($\epsilon_r \approx 4.3$) as substrate material, copper as conductor material, $G = 0.4 \text{ mm}$ and $T = 35 \mu\text{m}$, the recommended width of the transmission line is given by Table 9-1.

| H [mm] | W [mm] |
|--------|--------|
| 1.0 | 1.4 |
| 1.6 | 1.8 |

Table 9-1: Recommended width of transmission line² for CPWG and 2.4 GHz

For exact dimension definition please contact your PCB supplier.

¹ In other case a special matching network is required

² The calculation is only valid if the transmission line is not routed below the iM282A



9.4 Recommended Soldering Conditions

An example of the temperature profile for the soldering process of the iM282A is depicted in Figure 9-3 with the corresponding values as given by Table 9-2. The temperature values should not exceed the limits.

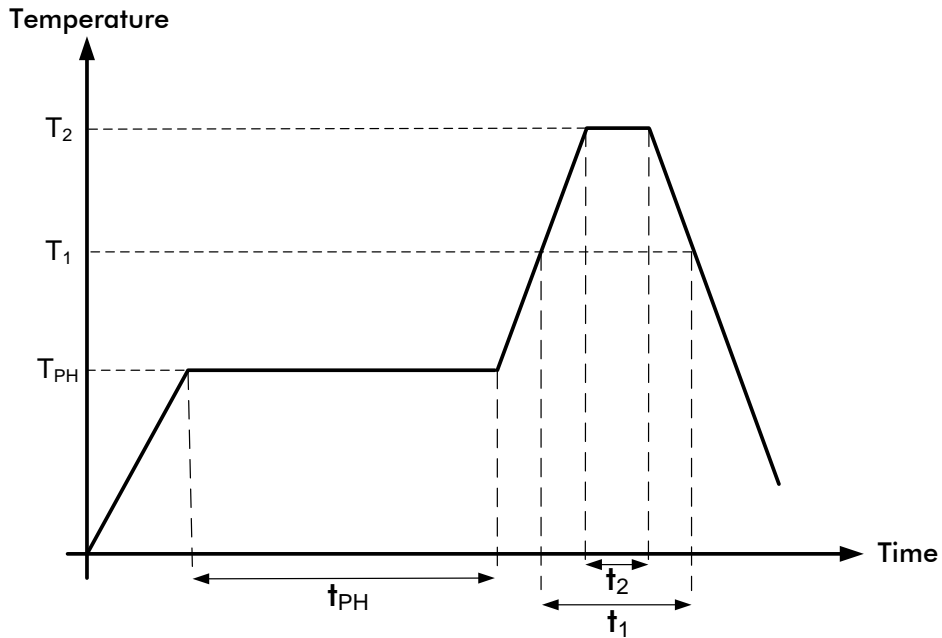


Figure 9-3: Soldering Profile

| Phase | Pb-Free Conditions |
|--------------|--|
| Preheating | $t_{PH} = 120s$ $T_{PH} = 160\sim 180^{\circ}C$ |
| Primary heat | $t_1 = 60s$ $T_1 = 220^{\circ}C$ |
| Peak | $t_2 = 10s (max)$ $T_2 = 255^{\circ}C$ |

Table 9-2: Recommended Soldering Parameter for Temperature and Timing

Note: The quality of the soldering process depends on several parameters, e.g. soldering paste, carrier board design, fabrication equipment,...



10. Ordering Information

| Ordering Part Number | Description | Distributor |
|--|--|--|
| iM282A-L | Radio Module 128 KB Flash, 32 KB RAM, 16 MHz MCU crystal | sales@imst.de |
| SK – iM282A | Starter Kit for the iM282A. See Notes. | sales@imst.de |
| AB – iM282A | 2x Adapter Board with iM282A | sales@imst.de |
| Notes: The Starter Kit contains two Demo Boards, two Adapter Boards with iM282A, two antennas, and a CD or USB memory stick with documentation. | | |

Table 10-1: Ordering Information

11. Appendix

11.1 List of Abbreviations

| | |
|------------------|--|
| ADC | Analog-to-Digital Converter |
| BER | Bit Error Rate |
| BSC | Basic Spacing between Centers |
| CPWG | Coplanar Waveguide with Lower Ground Plane |
| CW | Continuous Wave |
| FEC | Forward Error Correction |
| FLRC | Fast Long Range Communication |
| FSK | Frequency Shift Keying |
| GFSK | Gaussian Frequency Shift Keying |
| GMSK | Gaussian Minimum Shift Keying |
| GND | Ground |
| GPIO | General Purpose Input/Output |
| I ² C | Inter-Integrated Circuit |
| MCU | Microcontroller Unit |
| MSK | Minimum Shift Keying |
| PCB | Printed Circuit Board |
| RAM | Random Access Memory |
| RF | Radio Frequency |
| SMBus | System Management Bus |
| SMT | Surface Mounted Technology |
| SPI | Serial Peripheral Interface |
| TRX | Transceiver |
| USB | Universal Serial Bus |

11.2 List of Figures

| | |
|--|----|
| Figure 1-1: Picture of iM282A..... | 4 |
| Figure 2-1: Block Diagram of Radio Module iM282A..... | 5 |
| Figure 2-2: Raw Data Rate and Sensitivity for different operation modes..... | 6 |
| Figure 6-1: RF output power level and current consumption versus power stages from -18 to 13 @ 25°C | 14 |
| <i>Figure 7-1: Description of iM282A module pins and top view.....</i> | 15 |
| Figure 7-2: Outer Dimensions of the iM282A (top view) | 17 |
| Figure 7-3: Recommended footprint of the iM282A (top view) | 17 |
| Figure 9-1: Typical Application Schematic for iM282A..... | 19 |
| Figure 9-2: Structure of a grounded CPWG..... | 20 |
| Figure 9-3: Soldering Profile | 21 |

11.3 List of Tables

| | |
|--|----|
| Table 2-1: Typically Radio Performance of iM282A..... | 5 |
| Table 3-1: Spreading Factors of SX1280..... | 7 |
| Table 3-2: Coding Rate of iM282A | 7 |
| Table 4-1: Valid FLRC Data Rate and Bandwidth Combinations of iM282A | 8 |
| Table 4-2: Data Rates and Sensitivity of FLRC with FEC of iM282A | 9 |
| Table 5-1: Valid FSK Data Rate and Bandwidth Combinations with Sensitivity of iM282A..... | 10 |
| Table 6-1: Absolute Maximum Ratings | 11 |
| Table 6-2: General Characteristics | 12 |
| Table 6-3: Module Interface Characteristics..... | 13 |
| Table 6-4: Transmitter RF Characteristics..... | 14 |
| Table 7-1: iM282A Pinout Table | 16 |
| Table 9-1: Recommended width of transmission line for CPWG and 2.4 GHz..... | 20 |
| Table 9-2: Recommended Soldering Parameter for Temperature and Timing | 21 |
| Table 10-1: Ordering Information | 22 |

11.4 References

- [1] Semtech SX1280 Data Sheet from www.semtech.com
- [2] REC Recommendation 70-03 "Relating to the use of Short Range Devices (SRD)", Tromsø 1997, CEPT ECC subsequent amendments 9 th October 2012

12. Restrictions and Limitations

12.1 Hardware Restrictions and Limitations

The characteristic values given by the present document are typically obtained by measurements based on evaluation kits of the entitled device. Using other carrier boards or connected equipment might lead to different characteristics. Subject to given measurement results the characteristic values might show the best performance of the entitled device, independent from any compliancy restriction of final operation purposes.

12.2 Software Restrictions and Limitations

The present document is a datasheet of the entitled device which intentional use is to provide information about basic characteristics related to the device hardware. Typically all described characteristic values require software for obtaining them accordingly. All features of the available software are subject to changes without claim to be complete at any time. Characteristically values might also be provided based on datasheets of the appropriate key components unless there are test results available based on the available software. For more information regarding current supported features of the available software refer to www.wireless-solutions.de.

12.3 Compliancy Restrictions and Limitations

The entitled device has been designed to comply with the standards namely given in the present document. The intentional operation shall be in so called ISM bands, which can be used free of charge within the European Union and typically licences free all over the world. Nevertheless, restrictions such as maximum allowed radiated RF power or duty cycle may apply which might result in a reduction of these parameters accordingly.

In addition, the use of radio frequencies might be limited by national regulations which requirements also need to be met.

In case the entitled device will be embedded into other products (referred as "final products"), the manufacturer for this final product is responsible to declare the conformity to required standards accordingly. A proof of conformity for the entitled device is available from IMST GmbH on request. Beside the entitled device the conformity also considers software as well as supporting hardware characteristics which might also have an impact accordingly.

The applicable regulation requirements are subject to change. IMST GmbH does not take any responsibility for the correctness and accuracy of the aforementioned information. National laws and regulations, as well as their interpretation can vary with the country. In case of uncertainty, it is recommended to contact either IMST's accredited Test Center or to consult the local authorities of the relevant countries.

12.4 Disclaimer

IMST GmbH points out that all information in this document are given on an “as is” basis. No guarantee, neither explicit nor implicit is given for the correctness at the time of publication. IMST GmbH reserves all rights to make corrections, modifications, enhancements, and other changes to its products and services at any time and to discontinue any product or service without prior notice. It is recommended for customers to refer to the latest relevant information before placing orders and to verify that such information is current and complete. All products are sold and delivered subject to “General Terms and Conditions” of IMST GmbH, supplied at the time of order acknowledgment. IMST GmbH assumes no liability for the use of its products and does not grant any licenses for its patent rights or for any other of its intellectual property rights or third-party rights. It is the customer’s duty to bear responsibility for compliance of systems or units in which products from IMST GmbH are integrated with applicable legal regulations. Customers should provide adequate design and operating safeguards to minimize the risks associated with customer products and applications. The products are not approved for use in life supporting systems or other systems whose malfunction could result in personal injury to the user. Customers using the products within such applications do so at their own risk.

Any reproduction of information in datasheets of IMST GmbH is permissible only if reproduction is without alteration and is accompanied by all given associated warranties, conditions, limitations, and notices. Any resale of IMST GmbH products or services with statements different from or beyond the parameters stated by IMST GmbH for that product/solution or service is not allowed and voids all express and any implied warranties. The limitations on liability in favor of IMST GmbH shall also affect its employees, executive personnel and bodies in the same way. IMST GmbH is not responsible or liable for any such wrong statements.

Copyright © 2018, IMST GmbH

13. Contact Information

IMST GmbH

Carl-Friedrich-Gauß-Str. 2-4
47475 Kamp-Lintfort
Germany

T +49 2842 981 0

F +49 2842 981 299

E sales@imst.de

I www.wireless-solutions.de

