

WiMOD - Mote II

Application Note AN019 / Version 0.1

Outdoor Usage



Document ID: 4100/40140/0113

IMST GmbH

Carl-Friedrich-Gauss-Str. 2-4

D-47475 Kamp-Lintfort



Document Information

File name	Mote_II_AN019_Outdoor_Usage.docx
Created	2016-10-17
Total pages	8

Revision History

Version	Description
0.1	Preliminary version.

Aim of this Document

Aim of this document is to give a short overview what to do to for possible outdoor usage of the Mote II.

Table of Contents

1	OVERVIEW	4
2	MECHANICAL DESCRIPTION	5
3	ASSEMBLY INSTRUCTION	6
4	IMPORTANT NOTICE	8
4.1	Disclaimer	8
4.2	Contact Information	8

1 Overview

Outdoor environment has multiple sources of risk for electronic devices like the Mote II. The IPx5 certified Mote II is protected against water jets from any direction.

Additionally differences in ambient air temperature can cause unwanted condensation inside the housing which will affect function and lifespan of the Mote II. To avoid condensation an additional pressure compensating membrane should be mounted.

In the following chapter you will find detailed mounting information for the pressure compensating membrane DAE-D11 from BOPLA.

2 Mechanical Description

For mounting the DAE-D11 a hole has to be drilled into the housings cover.

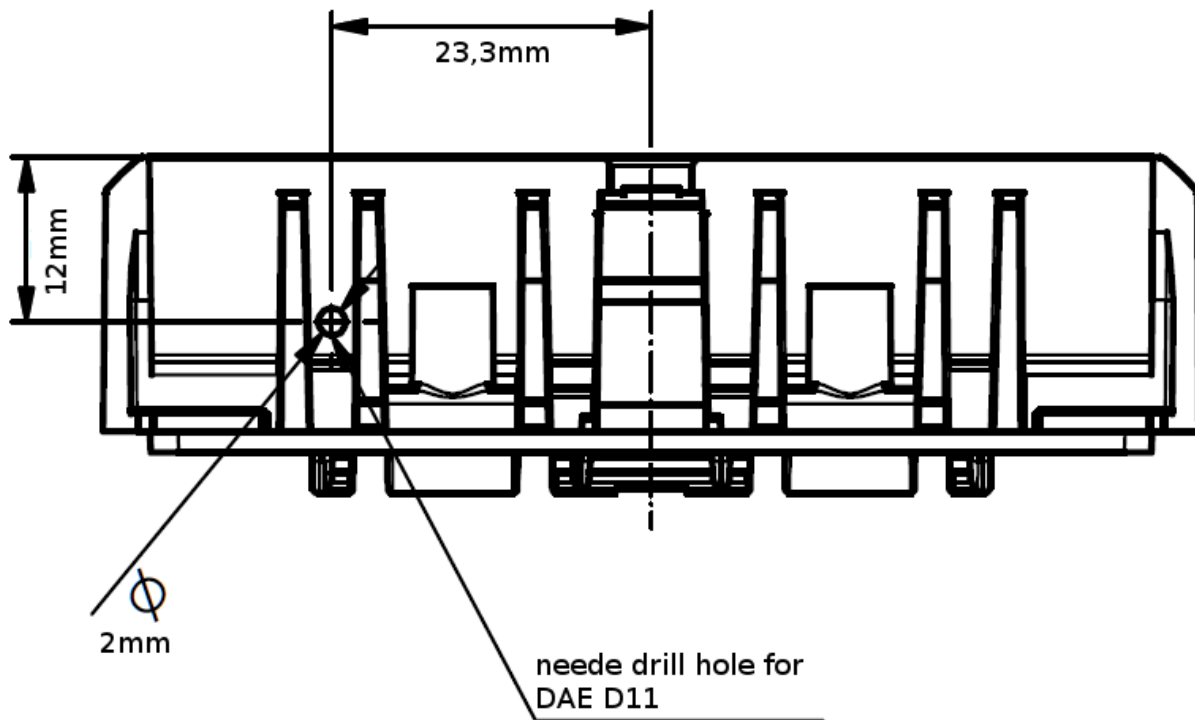


Figure 1: Mounting position for DAE-D11

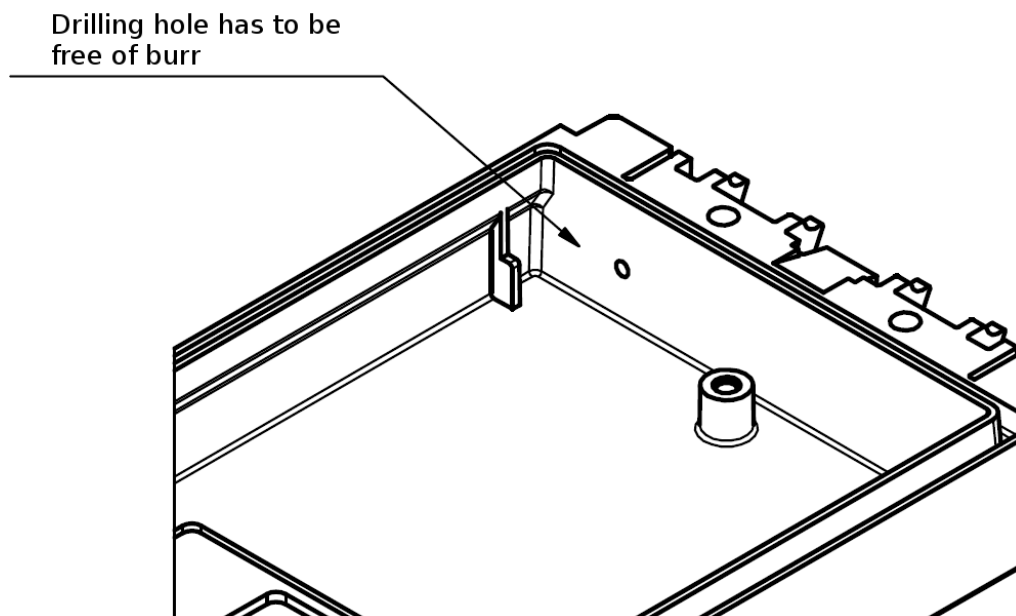


Figure 2: Drilled enclosure cover

3 Assembly instruction

1. Wear gloves and use rounded tweezers when handling DAE-D11.
2. Choose a flat mounting surface.
3. Clean mounting surface and area where DAE-D11 will be installed.
4. Allow surface to dry after cleaning.
5. Remove DAE-D11 from carrier material.
6. Put DAE-D11 on cleaned mounting area.
7. Apply light finger pressure to the adhesive ring to seal DAE-D11 to the enclosure.
8. Do not attempt to reposition DAE-D11 after installation – this could damage the vent.
9. Allow 24 hours dwell time before using or testing the DAE-D11.



Figure 3: mounting of DAE D11

For a general description and additional information about the DAE-D11 please refer to the bopla website:

<https://www.bopla.de/en>

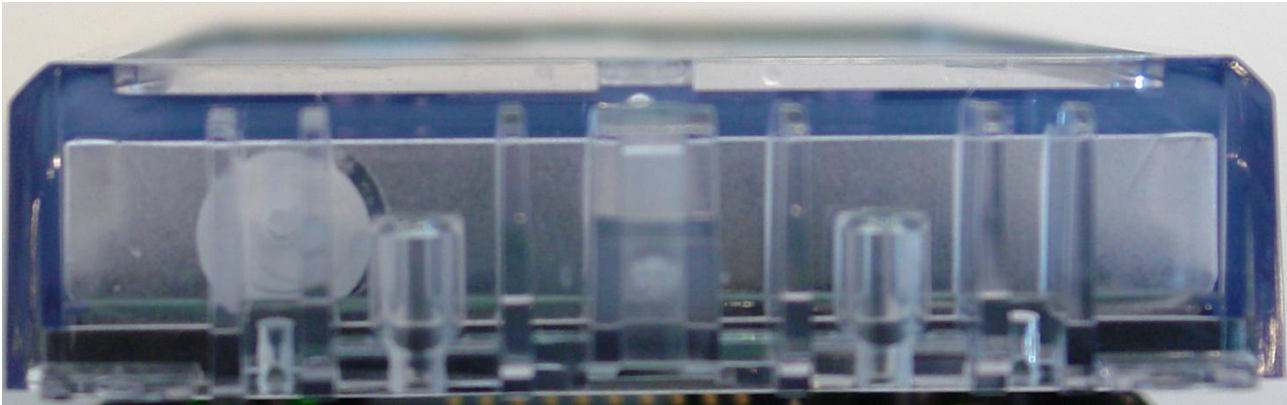


Figure 4: cover with mounted DAE-D11

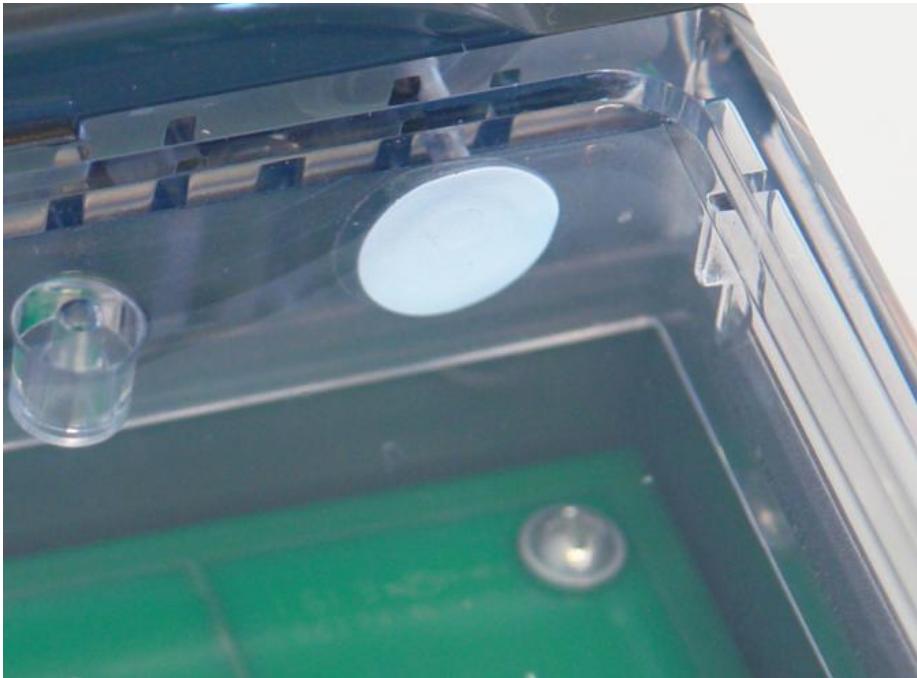


Figure 5: cover with mounted DAE-D11

4 Important Notice

4.1 Disclaimer

IMST GmbH points out that all information in this document is given on an “as is” basis. No guarantee, neither explicit nor implicit is given for the correctness at the time of publication. IMST GmbH reserves all rights to make corrections, modifications, enhancements, and other changes to its products and services at any time and to discontinue any product or service without prior notice. It is recommended for customers to refer to the latest relevant information before placing orders and to verify that such information is current and complete. All products are sold and delivered subject to “General Terms and Conditions” of IMST GmbH, supplied at the time of order acknowledgment.

IMST GmbH assumes no liability for the use of its products and does not grant any licenses for its patent rights or for any other of its intellectual property rights or third-party rights. It is the customer’s duty to bear responsibility for compliance of systems or units in which products from IMST GmbH are integrated with applicable legal regulations. Customers should provide adequate design and operating safeguards to minimize the risks associated with customer products and applications. The products are not approved for use in life supporting systems or other systems whose malfunction could result in personal injury to the user. Customers using the products within such applications do so at their own risk.

Any reproduction of information in datasheets of IMST GmbH is permissible only if reproduction is without alteration and is accompanied by all given associated warranties, conditions, limitations, and notices. Any resale of IMST GmbH products or services with statements different from or beyond the parameters stated by IMST GmbH for that product/solution or service is not allowed and voids all express and any implied warranties. The limitations on liability in favor of IMST GmbH shall also affect its employees, executive personnel and bodies in the same way. IMST GmbH is not responsible or liable for any such wrong statements.

Copyright © 2016, IMST GmbH

4.2 Contact Information

IMST GmbH

Carl-Friedrich-Gauss-Str. 2-4
47475 Kamp-Lintfort
Germany

T +49 2842 981 0

F +49 2842 981 299

E wimod@imst.de

I www.wireless-solutions.de